

技术参数:

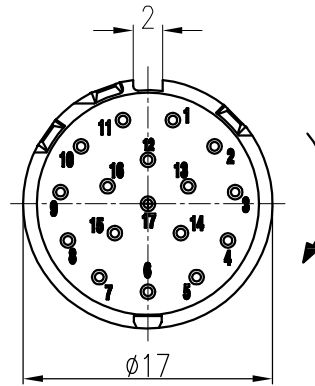
- 插针数: 17
- 额定电流
 信号针: 7A
- 额定电压: 25V~/60V-
- 额定脉冲电压: 1.5KV
- 污染等级: 3
- 绝缘电阻: $\geq 10^{12}\Omega$
- 温度范围: $-40^{\circ}\text{C} \dots +130^{\circ}\text{C}$
- 阻燃等级: V0 (UL94)
- 接触电阻: $\leq 5\text{m}\Omega$
- 插拔次数: ≥ 100
- 插体材料: PBT
- 插针材料: 铜合金
- 电镀材料: 金
- PCB插焊连接
 - 信号针: $\phi 0.6\text{mm}$

仅适用不封底下壳: HR23-BK-D2.7, HR23-BK/R-OD2.7
 HR23-BK/R-OM2.5

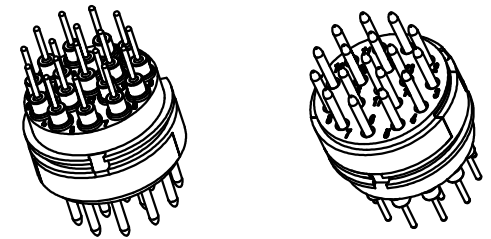
Technical specification:

- Number of contacts: 17
- Rated current
 signal contact: 7A
- Rated voltage: 25V~/60V-
- Rated impulse voltage: 1.5KV
- Pollution degree: 3
- Insulation resistance: $\geq 10^{12}\Omega$
- Temperature range: $-40^{\circ}\text{C} \dots +130^{\circ}\text{C}$
- Flammability acc.to UL94: V0 (UL94)
- Contact resistance: $\leq 5\text{m}\Omega$
- Mating cycles: ≥ 100
- Material of insert: PBT
- Material of contact: copper alloy
- Contact plating: Au
- PCB solder termination
 - signal contact: $\phi 0.6\text{mm}$

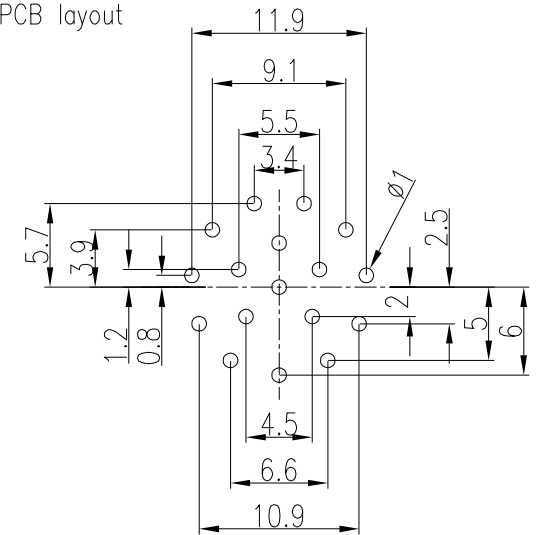
Suitable only for bulkhead mounted housings: HR23-BK-D2.7,
 HR23-BK/R-OD2.7, HR23-BK/R-OM2.5



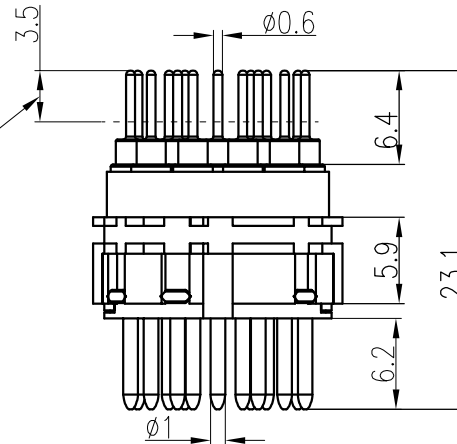
触点排列: 配合面
 Contact arrangement: mating side



PCB孔细节
 PCB layout



插针插接长度
 reference to bulkhead
 mounted housing



					表面处理 Finish	-				图号 Drawing No.	-	
					材料 Material	-				产品代号 Part Code	HR23-017-MTHT	
标记 Mark	处数 Number	变更描述/Description			姓名/Name	日期/Date					产品料号 Part No.	1810170140001
绘图 Drawn	TC CHEN	04.05.2016	标准化 Stand.	-	-	比例 Scale	版本 REV.	重量 Weight	数量 Qty.	产品名称 Part Name	-	
审核 Checked	ZM LIN	04.05.2016					2:1	V1.1	7.9g	-		
工艺 Process	-	-	批准 Approved	YY LUO	04.05.2016					厦门唯恩电气有限公司 XIAMEN WAIN ELECTRICAL CO.,LTD		



All Dimensions in mm
 Original Size DIN A 4