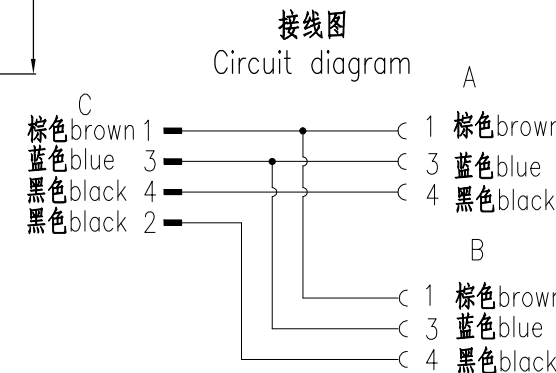
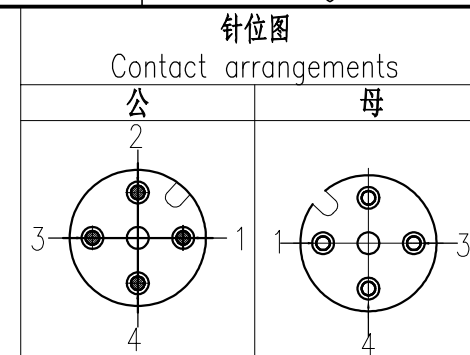
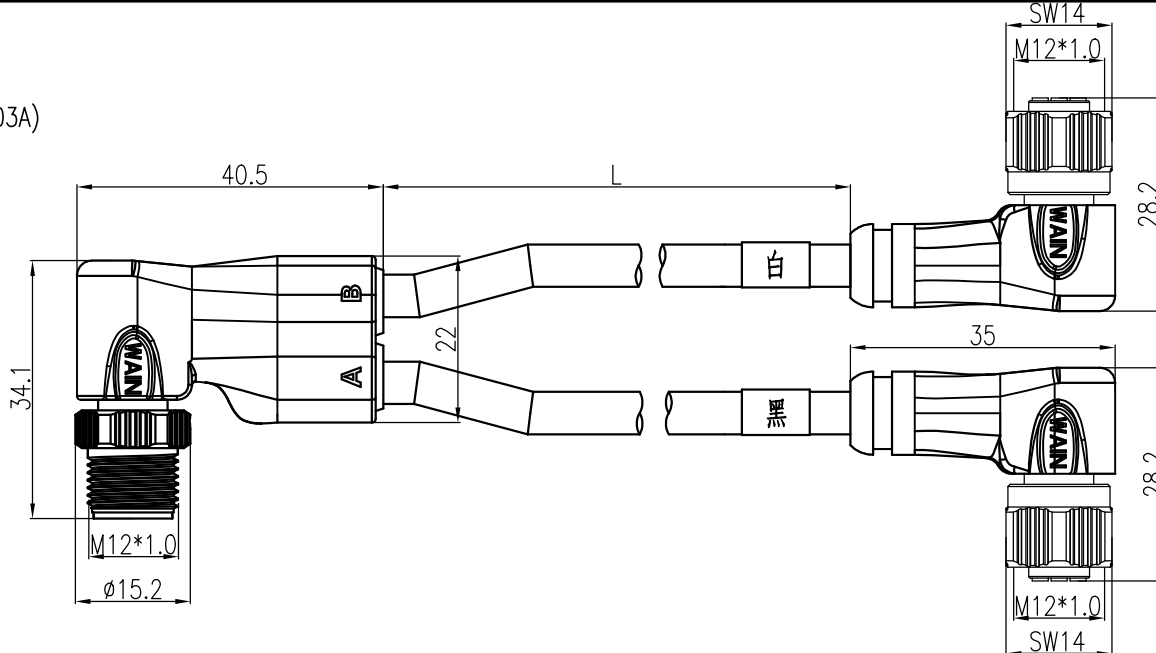


技术参数:

- 产品系列: M12
- 插针数: 4(M12Y-M04A)、3(M12-F03A)
- 额定电流(40℃): 4A
- 额定电压: 250V
- 额定脉冲电压: 2500V
- 污染等级: 3
- 接触电阻: < 10mΩ
- 绝缘电阻: > 100MΩ
- 锁紧方式: 螺纹式
- 线规: 0.34mm²
- 电缆类型: PUR
- 防护等级: IP67
- 插拔次数: >100
- 温度范围: -25℃ ... +85℃
- 锁紧螺帽: 金属
- 外壳材料: TPU
- 插体材料: PA
- 插针材料: 铜合金
- 插针电镀材料: 金

Technical specification:

- Series: M12
- Number of contacts: 4(M12Y-M04A)、3(M12-F03A)
- Rated current (40℃): 4A
- Rated voltage: 250V
- Rated impulse voltage: 2500V
- Pollution degree: 3
- Contact resistance: < 10mΩ
- Insulation resistance: > 100MΩ
- Connector locking system: screw
- Cable type: PUR
- Wire gauge: 0.34mm²
- Degree of protection: IP67
- Mating cycles: >100
- Temperature range: -25℃ ... +85℃
- Material of locking system: Metal
- Material of housing: TPU
- Material of insert: PA
- Material of contact: copper alloy
- Contact plating: Au



例如型号 "M12Y-M04A-S/2M12-F03A-S-L-PUR",
"L"表示带线长度, 单位m.

Ex: Part code "M12Y-M04A-S/2M12-F03A-S-L-PUR",
the "L" represents the cable length, unit m.

1713020040321	M12Y-M04A-S/2M12-F03A-S-5.0-PUR	5m	-
1713020040319	M12Y-M04A-S/2M12-F03A-S-1.5-PUR	1.5m	-
-	M12Y-M04A-S/2M12-F03A-S-L-PUR	Lm	-
产品料号 Part No.	产品代号 Part Code	线缆长度(L)	重量Weight

					表面处理 Finish	-				图号 Drawing No.	-	
					材料 Material	-				产品代号 Part Code	M12Y-M04A-S/2M12-F03A-S-L-PUR	
标记 Mark	处数 Number	变更描述/Description			签名 Signature	日期 Date					产品料号 Part No.	-
绘图 Drawn	YP ZHU	11.01.2024	标准化 Stand.	-	-	比例 Scale	版本 REV.	重量 Weight	数量 Qty.	产品名称 Part Name		-
审核 Checked	GQ WU	11.01.2024					1:1	V1.0	-	1		
工艺 Process	-	-	批准 Approved	Q GAO	11.01.2024	All Dimensions in mm Original Size DIN A 4				厦门唯恩电气有限公司 XIAMEN WAIN ELECTRICAL CO.LTD		