

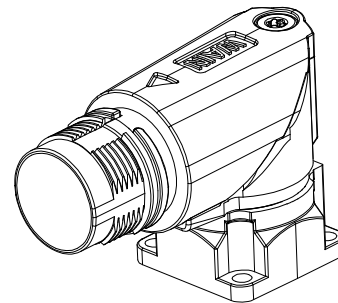
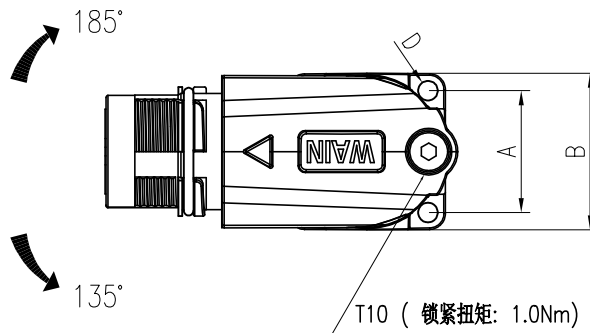
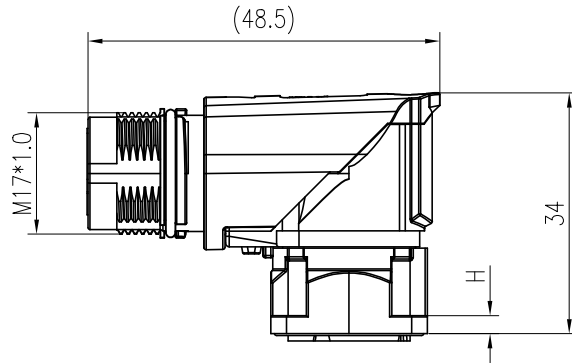
插针数 Contacts	产品料号 Part No.	型号 Part Code	A	B	C	D	H	重量 Weight
4(3+PE)	1650046202500	M17-FC04-BKP21.6-SE-OD2.7	16.8	21.6	∅2.7/M2.5	∅2.7	2.5	66.9g
	1650046202501	M17-FC04-BKP26-SE-OD2.7	19.8	25.7	∅2.7/M2.5	∅2.7	2.5	73.3g
	1650046202502	M17-FC04-BKP28-SE-OD3.2	22.6	28	∅3.2/M3	∅3.2	4.5	79g

- 技术参数:
- 产品系列: M17
 - 插针数: 4
 - 插针分布: 3+PE
 - 插针直径(mm): ∅1.5
 - 接线范围(mm²): 0.35-2.5
 - 接线方式: 冷压连接
 - 额定电流(25℃): 20A
 - 额定电压: 630V
 - 额定脉冲电压: 6KV
 - 过电压保护等级: III
 - 污染等级: 3
 - 插针需单独订购.

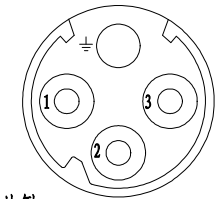
- 机械参数:
- 外壳材质: 铜合金, 锌合金
 - 外壳表面处理: 镀镍
 - 插芯材质: PBT
 - 密封材质: 氟橡胶
 - 温度范围: -40℃...+130℃
 - 电缆直径: ∅6-12mm
 - 插拔次数: >500
 - 防护等级: IP67

- Technical specification:
- Series: M17
 - Number of contacts: 4
 - Contact arrangement: 3+PE
 - Contact diameter(mm): ∅1.5
 - Wire gauge(mm²/AWG): 0.35-2.5
 - Terminal: Crimp
 - Rated current(25℃): 20A
 - Rated voltage: 630V
 - Rated impulse voltage: 6KV
 - Overvoltage category: III
 - Pollution degree: 3

- Mechanical specification:
- Material of housing: CuZn,Zinc(GD-Zn)
 - Finish of housing: Nickel-plated
 - Material of Insert: PBT
 - Material of sealing: FPM
 - Temperature range: -40℃...+130℃
 - Cable Outlet: ∅6-12mm
 - Mating cycles: >500
 - Degree of protection: IP67
 - Contact need to be ordered separately.

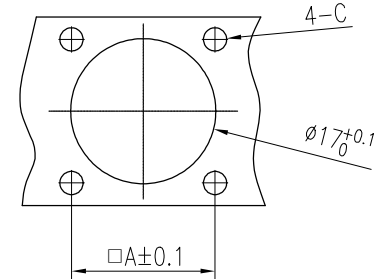


针位排布(对插面)图
Contact arrangement



比例
Scale: 2:1

面板安装开孔图 Panel cut out



标记/Mark		处数/Number	变更描述/Description		签名/Signature	日期/Date	表面处理/Finish				图号/Drawing No.	
姓名/Name		日期/Date	标准化 Stand.		姓名/Name	日期/Date	材料/Material	-				-
绘图/Drawn		ZH SU	16.03.2022	-		-	比例/Scale	版本/REV.	重量/Weight	数量/Qty.	产品代号/Part Code	
审核/Checked		ZQ XU	16.03.2022	-		-	1:1	V1.0	-	-	M17-FC04-BKPxx-SE-XXX	
工艺/Process		-	-	批准/Approved		HQ ZHANG	16.03.2022	All Dimensions in mm Original Size DIN A 4				产品料号/Part No.
											产品名称/Part Name	
											-	