

技术参数:

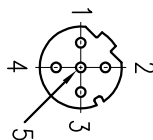
- 产品系列: M12 D-Code
- 插针数: 4
- 额定电流(40°C): 4A
- 额定电压: 250V
- 额定脉冲电压: 2500V
- 污染等级: 3
- 接触电阻:  $\leq 10m\Omega$
- 绝缘电阻:  $\geq 100M\Omega$
- 锁紧方式: 螺纹式M12\*1
- 连接方式: 焊接, 线规: 最大0.25mm<sup>2</sup>(AWG24)
- 防护等级: IP67
- 插拔次数:  $\geq 100$
- 温度范围: -40°C ... +85°C
- 外壳材料: 铸锌镀镍
- 插体材料: PA
- 插针材料: 铜合金
- 插针电镀材料: 金

Technical specification:

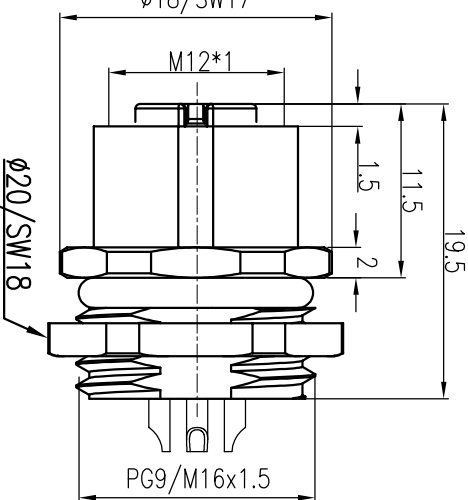
- Series: M12 A-Code
- Number of contacts: 4
- Rated current (40°C): 4A
- Rated voltage: 250V(4-pole)
- Rated impulse voltage: 2500V(4-pole)
- Pollution degree: 3
- Contact resistance:  $\leq 10m\Omega$
- Insulation resistance:  $\geq 100M\Omega$
- Connector locking system: screw M12\*1
- Terminal: solder, wire gauge: max.0.25mm<sup>2</sup>(AWG24)
- Degree of protection: IP67
- Mating cycles:  $\geq 100$
- Temperature range: -40°C ... +85°C
- Material of housing: Zinc diecasting nickel plated
- Material of insert: PA
- Material of contact: copper alloy
- Contact plating: Au

针位排布图

Contact arrangement



$\phi 18/SW17$

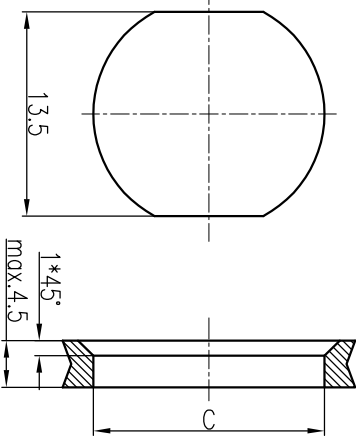


面板安装尺寸

Panel Cut-out

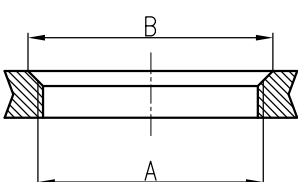
通孔安装

With bore hole



螺纹安装

With thread to screw in



	A	B	C
PG9	PG9	$\phi 16.2$	$\phi 15.3$
M16x1.5	M16x1.5	$\phi 17.0$	$\phi 16.1$

标记/Mark	本数/Number	变更描述/Description	姓名/Name	日期/Date	标准/Stand.	姓名/Name	日期/Date
绘图/Drawn	GY YE	02.01.2024			标准化		
审核/Checked	ZQ XU	02.01.2024					
工艺/Process	-	-			批准/Approved	HQ ZHANG	02.01.2024

表面处理/Finish	材料/Material	比例/Scale	版本/REV.	重量/Weight	数量/Qty.	图号/Drawing No.	产品代号/Part Code	产品料号/Part No.	产品名称/Part Name
-	-	2:1	V1.1	-	-		M12-F04D-BK-PG9-C	-	-
All Dimensions in mm Original Size DIN A 4									