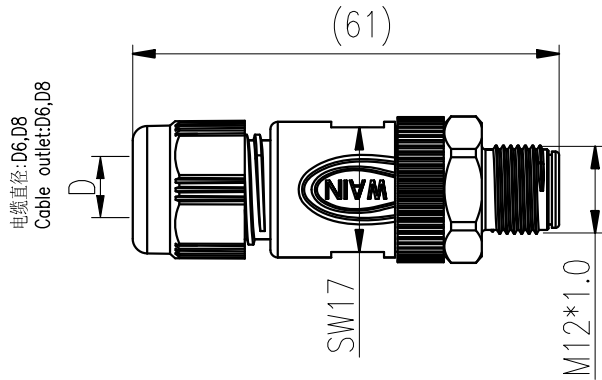
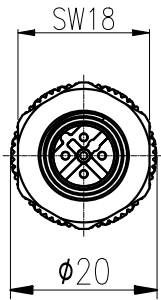


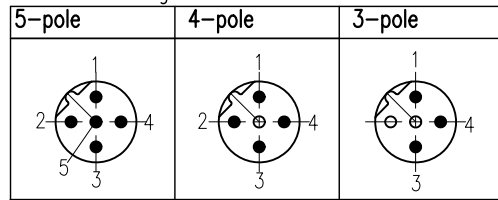
插针数 Contacts	料号 Order No.	产品代号 Part Code	电缆直径(D) Cable outlet	重量 Weight
4	1630044111003	M12S-M04B-T-D6	4-6mm	23.2g
	1630044111004	M12S-M04B-T-D8	6-8mm	23g
5	1630054111003	M12S-M05B-T-D6	4-6mm	25g
	1630054111004	M12S-M05B-T-D8	6-8mm	24.8g



电缆直径:D6,D8
Cable outlet:D6,D8

针位排布图

Contact arrangement



技术参数:

- 产品系列: M12-B 编码
- 插针数: 4 5
- 额定电流(40°C): 4A 4A
- 额定电压: 250V 125V
- 额定脉冲电压: 2500V 1500V
- 污染等级: 3
- 接触电阻: $\leq 10\text{m}\Omega$
- 防护等级: IP67
- 插拔次数: >100
- 温度范围: -40°C...+85°C
- 绝缘阻抗: $\geq 100\text{M}\Omega$
- 接线方式: 螺钉锁紧
- 线径范围: $\text{max.}0.75\text{mm}^2$ (max.AWG18)
- 锁紧扭矩: 0.2Nm (螺钉接线)
- 电缆直径: 4-6mm,6-8mm
- 电缆剥线长度: 20mm
- 导线剥线长度: 5mm

材料特性:

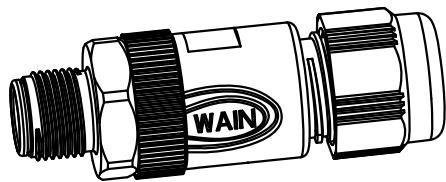
- 锁紧螺帽: 不锈钢
 - 插针材料: 铜合金
 - 插针表面处理: 镀金
 - 外壳材料: PA
 - 颜色: RAL 9005 (黑色)
 - 绝缘材料: PA
- 符合标准: IEC 61076-2-101

Technical specification:

- Series: M12 B-Code
- Number of contacts: 4 5
- Rated current(40°C): 4A 4A
- Rated voltage: 250V 125V
- Rated impulse voltage: 2500V 1500V
- Pollution degree: 3
- Contact resistance: $\leq 10\text{m}\Omega$
- Degree of protection: IP67
- Mating cycles: >100
- Temperature range: -40°C - +85°C
- Insulation resistance: $\geq 100\text{M}\Omega$
- Termination method: screw connection
- Wire gauge: $\text{max.}0.75\text{mm}^2$ (max.AWG18)
- Torque: 0.2Nm (screw terminal blocks)
- Cable Outlet: 4-6mm,6-8mm
- Stripping length of the sheath: 20mm
- Stripping length of the individual wire:5mm

Material properties:

- Material of locking system: Stainless steel
 - Material of contact: copper alloy
 - Contact plating: Au
 - Material of housing : PA
 - Colour of housing: RAL 9005 (Black)
 - Material of Insert: PA
- Standards: IEC 61076-2-101



标记 Mark	处数 Number	变更描述/Description	签名 Signature	日期 Date	表面处理 Finish	图号 Drawing No.			
					-	-			
					材料 Material	-			
					比例 Scale	版本 REV.	重量 Weight	数量 Qty.	产品名称 Part Name
					1:1	V1.1	-	-	-
					批准 Approved	All Dimensions in mm Original Size DIN A 4			
						厦门唯恩电气有限公司 XIAMEN WAIN ELECTRICAL CO.LTD			