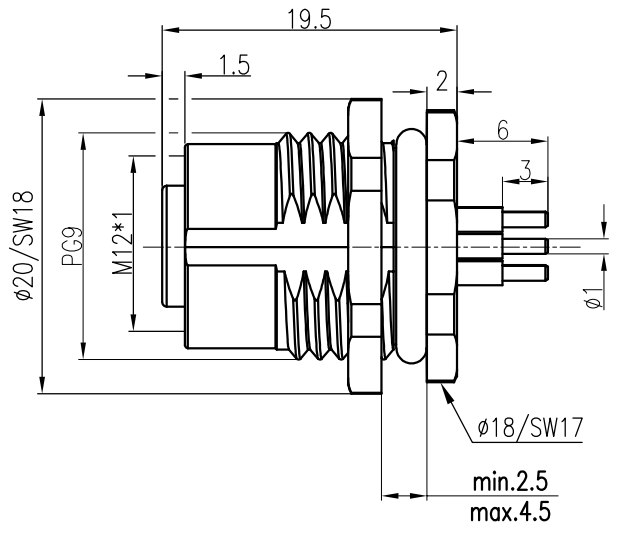
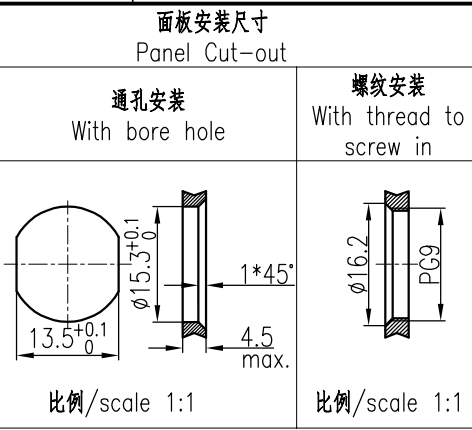
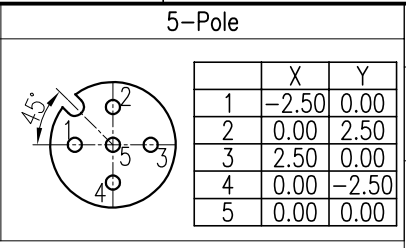
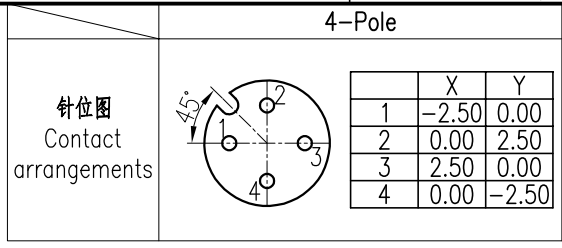


技术参数:

- 产品系列: M12 A-Code
- 插针数: 4、5、8
- 额定电流(40°C): 4A(4\5-pole), 2A(8-pole)
- 额定电压: 250V(4-pole), 125V(5-pole), 60V(8-pole)
- 额定脉冲电压: 2500V(4-pole), 1500V(5-pole), 800V(8-pole)
- 污染等级: 3
- 接触电阻: ≤10mΩ
- 绝缘电阻: ≥100MΩ
- 锁紧方式: 螺纹式M12*1
- 连接方式: 浸焊
- 防护等级: IP67
- 插拔次数: ≥100
- 温度范围: -40°C ... +85°C
- 外壳材料: 铸锌镀镍
- 插体材料: PA
- 插针材料: 铜合金
- 插针电镀材料: 金

Technical specification:

- Series: M12 A-Code
- Number of contacts: 4, 5, 8
- Rated current (40°C): 4A(4\5-pole), 2A(8-pole)
- Rated voltage: 250V(4-pole), 125V(5-pole), 60V(8-pole)
- Rated impulse voltage: 2500V(4-pole), 1500V(5-pole), 800V(8-pole)
- Pollution degree: 3
- Contact resistance: ≤10mΩ
- Insulation resistance: ≥100MΩ
- Connector locking system: screw M12*1
- Terminal: dip solder
- Degree of protection: IP67
- Mating cycles: ≥100
- Temperature range: -40°C ... +85°C
- Material of housing: Zinc diecasting nickel plated
- Material of insert: PA
- Material of contact: copper alloy
- Contact plating: Au



插针数 Contacts	产品料号 Cable outlet	型号 Part Code	重量 Weight
4	1630043241011	M12-F04A-BKR-PG9-D	12.4 g
5	1630053241011	M12-F05A-BKR-PG9-D	12.7 g
8	1630083241011	M12-F08A-BKR-PG9-D	12.5 g

表面处理 Finish		-		图号 Drawing No.		-	
材料 Material		-		产品代号 Part Code		M12-FXX-BKR-PG9-D	
标记 Mark	处数 Number	变更描述/Description		签名 Signature	日期 Date	产品料号 Part No.	
姓名/Name	日期/Date	姓名/Name	日期/Date	比例 Scale	版本 REV.	重量 Weight	数量 Qty.
绘图 Drawn	HQ ZHANG	17.04.2014	标准化 Stand.	-	-	-	-
审核 Checked	ZM LIN	17.04.2014					
工艺 Process	-	-	批准 Approved	YY LUO	17.04.2014	All Dimensions in mm Original Size DIN A 4	
						厦门唯恩电气有限公司 XIAMEN WAIN ELECTRICAL CO.LTD	