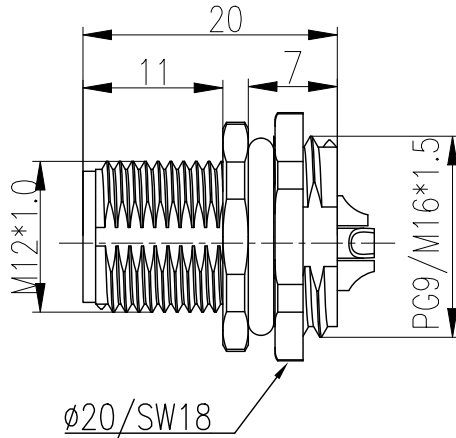
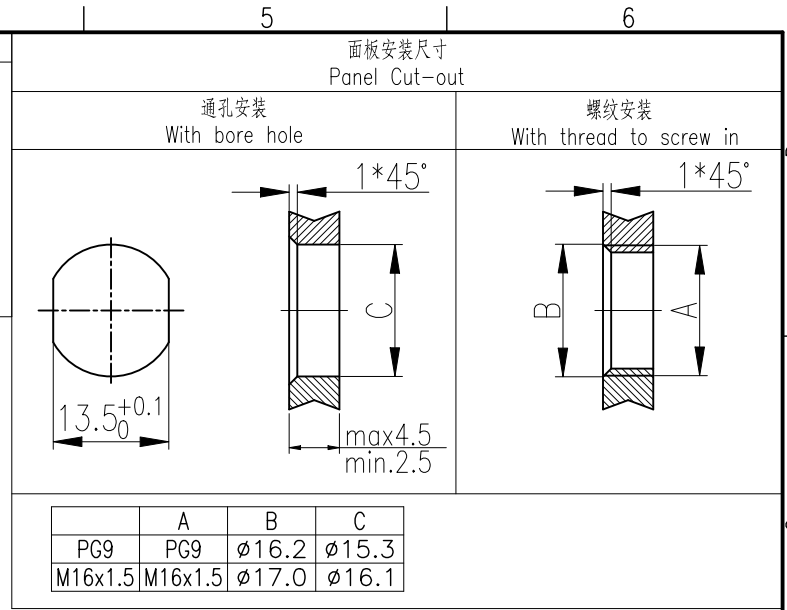
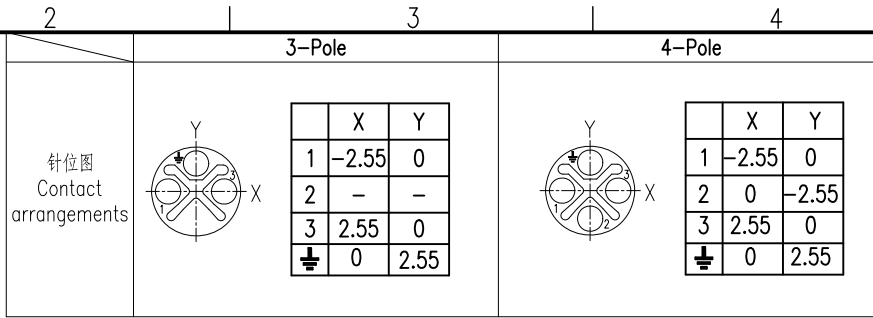


技术参数:

- 产品系列: M12 S-code
- 插针数: 3/4
- 额定电流(40°C): 12A
- 额定电压: 630V
- 额定脉冲电压: 6000V
- 污染等级: 3
- 接触电阻:  $\leq 10m\Omega$
- 绝缘电阻:  $\geq 100M\Omega$
- 锁紧方式: 螺纹式M12\*1
- 连接方式: 焊接, 线规: 最大1.5mm<sup>2</sup>(AWG16)
- 防护等级: IP67
- 插拔次数:  $\geq 100$
- 温度范围: -40°C ... +85°C
- 外壳材料: 铸锌电镀
- 插体材料: PA
- 插针材料: 铜合金
- 插针电镀材料: 金

Technical specification:

- Series: M12 S-Code
- Number of contacts: 3/4
- Rated current (40°C): 12A
- Rated voltage: 630V
- Rated impulse voltage: 6000V
- Pollution degree: 3
- Contact resistance:  $\leq 10m\Omega$
- Insulation resistance:  $\geq 100M\Omega$
- Connector locking system: screw M12\*1
- Terminal: solder, wire gauge: max.1.5mm<sup>2</sup>(AWG16)
- Degree of protection: IP67
- Mating cycles:  $\geq 100$
- Temperature range: -40°C ... +85°C
- Material of housing: Zinc diecasting nickel plated
- Material of insert: PA
- Material of contact: copper alloy
- Contact plating: Au



插针数 Contacts	料号 Order No.	产品代号 Part Code	重量 Weight
3	1630033132500	M12-M03S-BK-PG9-C	16g
	1630033132501	M12-M03S-BK-M16-C	13.9g
4	1630043132500	M12-M04S-BK-PG9-C	16.3g
	1630043132501	M12-M04S-BK-M16-C	15.2g

标记 Mark	处数 Number	变更描述/Description	签名 Signature	日期 Date	表面处理 Finish	材料 Material	比例 Scale	版本 REV.	重量 Weight	数量 Qty.	图号 Drawing No.	产品代号 Part Code	产品料号 Part No.	产品名称 Part Name
绘图 Drawn	YL CHEN	19.03.2024	标准化 Stand.	-	-	-	1:1	V1.1	-	-	-	M12-M0xS-BK-XXX-C	-	-
审核 Checked	ZQ XU	19.03.2024	-	-	-	-	-	-	-	-	-	-	-	-
工艺 Process	-	-	批准 Approved	HQ ZHANG	19.03.2024	-	-	-	-	-	-	-	-	-

All Dimensions in mm  
Original Size DIN A 4

厦门唯恩电气有限公司  
XIAMEN WAIN ELECTRICAL CO.LTD