

日期/Date
 档案员
 Filing Clerk

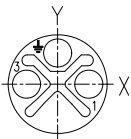
技术参数:

- 产品系列: M12 S-code
- 插针数: 3/4
- 额定电流(40°C): 12A
- 额定电压: 630V
- 额定脉冲电压: 6000V
- 污染等级: 3
- 接触电阻: $\leq 10m\Omega$
- 绝缘电阻: $\geq 100M\Omega$
- 锁紧方式: 螺纹式M12*1
- 连接方式: 焊接, 线规: 最大1.5mm²(AWG16)
- 防护等级: IP67
- 插拔次数: ≥ 100
- 温度范围: -40°C ... +85°C
- 外壳材料: 铸锌镀镍
- 插体材料: PA
- 插针材料: 铜合金
- 插针电镀材料: 金

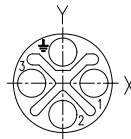
Technical specification:

- Series: M12 S-Code
- Number of contacts: 3/4
- Rated current (40°C): 12A
- Rated voltage: 630V
- Rated impulse voltage: 6000V
- Pollution degree: 3
- Contact resistance: $\leq 10m\Omega$
- Insulation resistance: $\geq 100M\Omega$
- Connector locking system: screw M12*1
- Terminal: solder, wire gauge: max.1.5mm²(AWG16)
- Degree of protection: IP67
- Mating cycles: ≥ 100
- Temperature range: -40°C ... +85°C
- Material of housing: Zinc diecasting nickel plated
- Material of insert: PA
- Material of contact: copper alloy
- Contact plating: Au

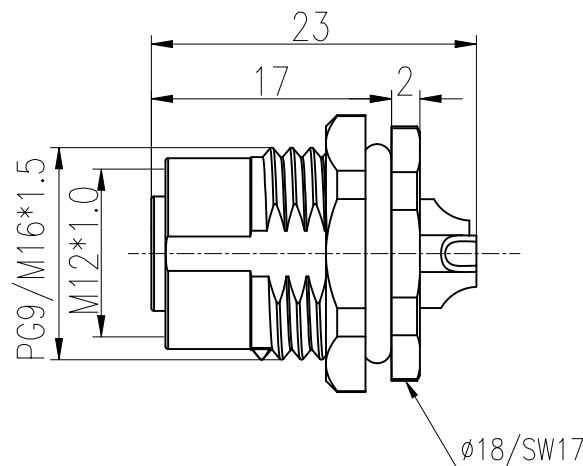
针位图
 Contact
 arrangements



	X	Y
1	2.55	0
2	-	-
3	-2.55	0
⏏	0	2.55

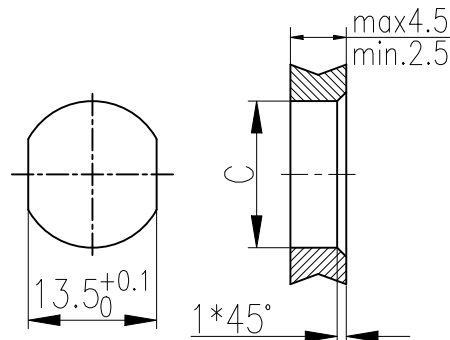


	X	Y
1	2.55	0
2	0	-2.55
3	-2.55	0
⏏	0	2.55

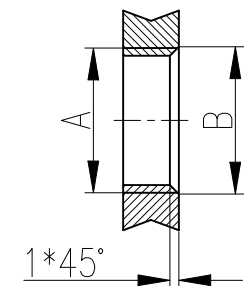


面板安装尺寸
 Panel Cut-out

通孔安装
 With bore hole



螺纹安装
 With thread to screw in



	A	B	C
PG9	PG9	$\phi 16.2$	$\phi 15.3$
M16x1.5	M16x1.5	$\phi 17.0$	$\phi 16.1$

插针数 Contacts	料号 Order No.	产品代号 Part Code	重量 Weight
3	1630033232502	M12-F03S-BKR-PG9-C	21.1g
	1630033232503	M12-F03S-BKR-M16-C	20.1g
4	1630043232502	M12-F04S-BKR-PG9-C	21.5g
	1630043232503	M12-F04S-BKR-M16-C	20.5g

标记 Mark	处数 Number	变更描述/Description	姓名/Name	日期/Date	表面处理 Finish	材料 Material	图号 Drawing No.
绘图 Drawn	YL CHEN	20.03.2024	标准化 Stand.	-	-	-	产品代号 Part Code
审核 Checked	ZQ XU	20.03.2024	-	-	-	-	M12-F0xS-BKR-XXX-C
工艺 Process	-	-	批准 Approved	HQ ZHANG	20.03.2024	比例 Scale	产品料号 Part No.
						1:1	-
						版本 REV.	产品名称 Part Name
						V1.0	-
						重量 Weight	-
						-	-
						数量 Qty.	-
						-	-
						All Dimensions in mm Original Size DIN A 4	
						厦门唯恩电气有限公司 XIAMEN WAIN ELECTRICAL CO.LTD	