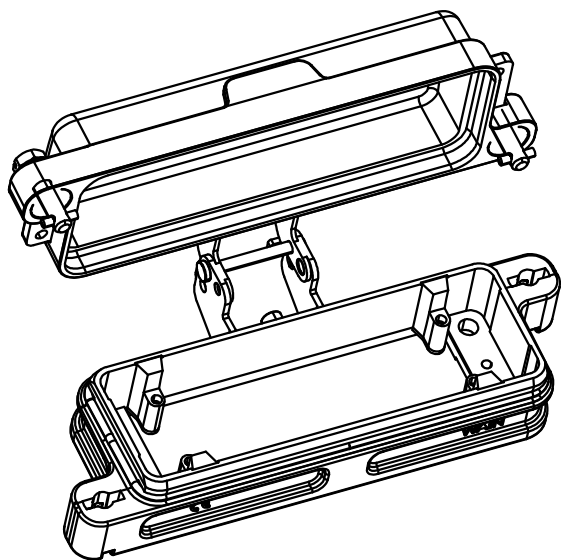


面板开孔图

Panel cut out

配套HC650插芯使用时此开孔宽度为45mm, 配套HC250插芯使用此开孔宽度为40mm,  
Match with insert HC650, the distance between the two openings is 45mm,  
match with insert HC250, the distance between the two openings is 40mm.



## 技术参数:

- 材料: 压铸铝
- 盖子材料: 压铸铝
- 表面处理: 粉末喷涂
- 颜色: RAL 9005 (黑色)
- 温度范围:  $-40^{\circ}\text{C}$  -  $+125^{\circ}\text{C}$
- 防护等级: IP68 (联锁状态, IEC 60529)
- 出线方向: 底部出线
- 密封元件: NBR

## Technical specification:

- Material: aluminium die-cast
- Material, cover: aluminium die-cast
- Surface: powder-coated
- Colour: RAL 9005 (black)
- Temperature range:  $-40^{\circ}\text{C}$  -  $+125^{\circ}\text{C}$
- Degree of protection: IP68  
(acc.to IEC 60529 for coupled connector)
- Cable entry: bottom entry
- Hoods/Housings sealing: NBR

Note: 1 配套额定电流为650A的插芯 (HC650-M, HC650-F, HC650-MC, HC650-FC) 时, 该开孔尺寸宽度为45mm,  
若面板强度足够, 能保证产品安装时, 面板不会出现变形, 适配其他规格的插芯时, 该开孔宽度亦可采用45mm.

match with inserts with rated current 650A (HC650-M, HC650-F, HC650-MC, HC650-FC), and the distance between the two openings is 45 mm. If the panel is strong enough to avoid distortion during assembly, the distance between the two openings still could be 45 mm, when the shell matches with other inserts.

						表面处理 Finish	-			图号 Drawing No.	-
						材料 Material	-			产品代号 Part Code	HP24B/H-BK-2T-MCV
标记 Mark	处数 Number	变更描述/Description			签名 Signature	日期 Date	比例 Scale	版本 REV.	重量 Weight	数量 Qty.	产品料号 Part No.
绘图 Drawn	GQ WU	04.02.2024	标准化 Stand.	-	-	2:5	V1.3	350g	-	-	1136243701001
审核 Checked	Q GAO	04.02.2024									产品名称 Part Name
工艺 Process	-	-	批准 Approved	HQ ZHANG	04.02.2024			All Dimensions in mm Original Size DIN A 4			厦门唯恩电气有限公司 XIAMEN WAIN ELECTRICAL CO.LTD