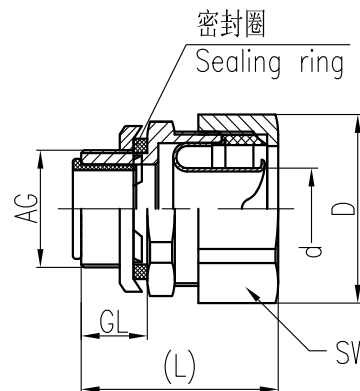
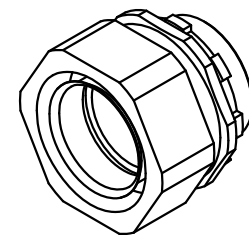


| M公制螺纹/Metric Thread | | | | | | | | | |
|---------------------|-------------------|------------------|-----------------------|-----------------------------|-----------------------|-------------------------|---------------------------|---------------------|----------------|
| 序号 No. | 产品名称 Part code | 产品料号 Part No. | 螺纹规格AG Thread size | 配用软管d Fit to tubing size | 扳手尺寸SW Wrench size | 螺纹长度GL Thread length | 外圆直径D Outside diameter | 总长L Total length | 重量/Weight g |
| 1 | WNC-M16/D10 | 1021140135003 | M16*1.5 | 10 | 21.5 | 8 | 23.3 | 28 | 25.6 |
| 2 | WNC-M16/D8 | 1021140135001 | M16*1.5 | 8 | 21.5 | 8 | 23.3 | 25.5 | 35 |
| 3 | WNC-M20/D12 | 1021140155001 | M20*1.5 | 12 | 25.5 | 10 | 27.5 | 32 | 49.6 |
| 4 | WNC-M20/D12-NBR | 1021140155002 | M20*1.5 | 12 | 25.5 | 10 | 27.5 | 32 | 35 |
| 5 | WNC-M24/D15 | 1021140175001 | M24*1.5 | 15 | 29.5 | 12 | 31.8 | 35 | 68.4 |
| 6 | WNC-M30/D20 | 1021140385001 | M30*2.0 | 20 | 35 | 12.5 | 37.5 | 37 | 108 |
| 7 | WNC-M32/D20 | 1021140195005 | M32*1.5 | 20 | 35 | 12.5 | 37.5 | 37 | - |
| 8 | WNC-M32/D25 | 1021140195001 | M32*1.5 | 25 | 43 | 15 | 46 | 41 | 103 |
| 9 | WNC-M33/D25-NBR | 1021140395001 | M33*2.0 | 25 | 42.8 | 15.5 | 45.8 | 41 | 106 |
| 10 | WNC-M36/D25 | 1021140405001 | M36*2.0 | 25 | 43 | 15 | 46 | 41 | 115 |
| 11 | WNC-M40/D32 | 1021140205001 | M40*1.5 | 32 | 51.5 | 15 | 55 | 47 | 148 |

| PG制螺纹/PG Thread | | | | | | | | | |
|-----------------|-------------------|------------------|-----------------------|-----------------------------|-----------------------|-------------------------|---------------------------|---------------------|----------------|
| 序号 No. | 产品名称 Part code | 产品料号 Part No. | 螺纹规格AG Thread size | 配用软管d Fit to tubing size | 扳手尺寸SW Wrench size | 螺纹长度GL Thread length | 外圆直径D Outside diameter | 总长L Total length | 重量/Weight g |
| 1 | WNC-PG9/D10 | 1021140025001 | PG9 | 10 | 21.5 | 8.5 | 23.3 | 25.5 | 32 |
| 2 | WNC-PG11/D10,NBR | 1021140035003 | PG11 | 10 | 21.5 | 8.5 | 23.3 | 25.5 | 25.8 |
| 3 | WNC-PG11/D12,NBR | 1021140035002 | PG11 | 12 | 25.5 | 10 | 28.5 | 28 | - |
| 4 | WNC-PG11/D12 | 1021140035001 | PG11 | 12 | 25.5 | 10 | 28.5 | 28 | 35 |
| 5 | WNC-PG13.5/D15 | 1021140045001 | PG13.5 | 15 | 29.5 | 11.5 | 31.8 | 33 | 49 |
| 6 | WNC-PG16/D15 | 1021140055001 | PG16 | 15 | 29.5 | 11.5 | 31.8 | 34 | 48.8 |
| 7 | WNC-PG16/D15-NBR | 1021140055002 | PG16 | 15 | 29.5 | 11.5 | 31.8 | 34 | 49.8 |
| 8 | WNC-PG21/D20 | 1021140065001 | PG21 | 20 | 35 | 13 | 37.5 | 37 | 70.5 |
| 9 | WNC-PG21/D20-NBR | 1021140065002 | PG21 | 20 | 35 | 13 | 37.5 | 37 | 70.2 |
| 10 | WNC-PG29/D25 | 1021140075001 | PG29 | 25 | 43 | 15 | 46 | 41 | 107.2 |
| 11 | WNC-PG29/D25-NBR | 1021140075002 | PG29 | 25 | 43 | 15 | 46 | 41 | 108 |
| 12 | WNC-PG29/D32 | 1021140075003 | PG29 | 32 | 50.5 | 14 | 55 | 44 | 149 |
| 13 | WNC-PG29/D32-NBR | 1021140075004 | PG29 | 32 | 51.5 | 14 | 55 | 44 | 137.8 |
| 14 | WNC-PG36/D32 | 1021140085003 | PG36 | 32 | 51.5 | 14.5 | 55 | 45 | - |
| 15 | WNC-PG36/D32-NBR | 1021140085004 | PG36 | 32 | 51.5 | 14.5 | 55 | 45 | 158.4 |
| 16 | WNC-PG36/D38 | 1021140085001 | PG36 | 38 | 58.5 | 16 | 61.5 | 47 | 196 |
| 17 | WNC-PG42/D38 | 1021140095001 | PG42 | 38 | 58.5 | 15 | 61.5 | 47 | 213 |
| 18 | WNC-PG48/D51 | 1021140105001 | PG48 | 51 | 71 | 18.5 | 74 | 52 | 300 |



技术参数:

- 材料:
 - 主体: 锌合金
 - 密封元件: 丁腈橡胶
- 表面处理: 镀锌
- 温度范围: -40°C-100°C, 短时间可以达到120°C
- 防护等级: IP65(在使用密封圈的情况下)

Technical specification:

- Material:
 - Body: zinc alloy
 - Sealing: NBR
- Surface: zinc plated
- Temperature range: -40°C-100°C, short-term 120°C
- Degree of protection: IP65(with sealing ring)

| | | | | | | | |
|----------------|--------------|------------------|------------|---|------------|---|--------------|
| 表面处理 Finish | | - | | 图号 Drawing No. | | - | |
| 材料 Material | | - | | 产品代号 Part Code | | WNC-PG42/D38 | |
| 标记 Mark | 处数 Number | 变更描述/Description | | 签名 Signature | 日期 Date | 产品料号 Part No. | |
| 绘图 Drawn | BQ LUO | 姓名/Name | 日期/Date | 姓名/Name | 日期/Date | 1021140095001 | |
| 审核 Checked | P RAO | 日期/Date | 18.10.2010 | 姓名/Name | 日期/Date | 产品名称 Part Name | |
| 工艺 Process | - | 日期/Date | 18.10.2010 | 批准 Approved | YY LIN | - | |
| | | | | 比例 Scale | | 版本 REV. | 重量 Weight |
| | | | | 1:1 | | V1.1 | 213g |
| | | | | 数量 Qty. | | - | |
| | | | | All Dimensions in mm Original Size DIN A 4 | | 厦门唯恩电气有限公司 XIAMEN WAIN ELECTRICAL CO.LTD | |