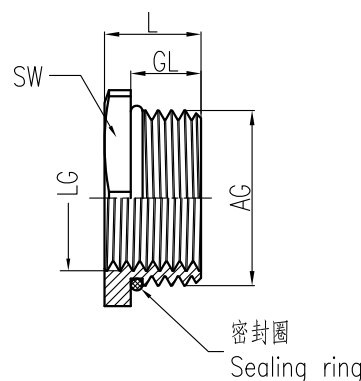
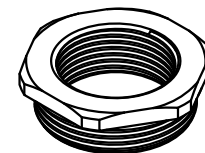


日期/Date  
档案员  
Filing Clerk

M公制螺纹/Metric Thread								
序号 No.	产品名称 Part code	产品序号 Part No.	外螺纹规格AG Outside Thread	内螺纹规格LG Inside Thread	外螺纹长度GL Outside thread length	总长L Total length	扳手尺寸SW Wrench size	重量/Weight g
1	WNSC-M16M12	1021040131001	M16*1.5	M12*1.5	6	9	17	8.8
2	WNSC-M20M16	1021040151001	M20*1.5	M16*1.5	7	10	22	10.3
3	WNSC-M25M20	1021040181001	M25*1.5	M20*1.5	7	10	27	16.2
4	WNSC-M32M20	1021040191002	M32*1.5	M20*1.5	8	12	36	50
5	WNSC-M32M25	1021040191001	M32*1.5	M25*1.5	8	11.5	35	34.4
6	WNSC-M40M32	1021040201001	M40*1.5	M32*1.5	9	13	42	53
7	WNSC-M50M40	1021040461001	M50*1.5	M40*1.5	9	14	57	107
8	WNSC-M63M50	1021040481001	M63*1.5	M50*1.5	11	14	65	141

PG制螺纹/PG Thread								
序号 No.	产品名称 Part code	产品序号 Part No.	外螺纹规格AG Outside Thread	内螺纹规格LG Inside Thread	外螺纹长度GL Outside thread length	总长L Total length	扳手尺寸SW Wrench size	重量/Weight g
1	WNSC-PG9PG7	1021040021001	PG9	PG7	6	9	17	6
2	WNSC-PG11PG9	1021040031001	PG11	PG9	7	11	20	9.6
3	WNSC-PG13.5PG11	1021040041001	PG13.5	PG11	7	10	22	6
4	WNSC-PG16PG13.5	1021040051001	PG16	PG13.5	7	11	24	8
5	WNSC-PG16PG9	1021040051002	PG16	PG9	7	11	24	-
6	WNSC-PG21PG13.5	1021040061002	PG21	PG13.5	7	11	30	28.2
7	WNSC-PG21PG16	1021040061001	PG21	PG16	7	11	30	23.8
8	WNSC-PG29PG21	1021040071001	PG29	PG21	8	13	40	57.3
9	WNSC-PG36PG29	1021040081001	PG36	PG29	9	13	50	81.2
10	WNSC-PG42PG36	1021040091001	PG42	PG36	9	15	57	75
11	WNSC-PG48PG42	1021040101001	PG48	PG42	10	15	65	200.5



技术参数:

- 材料:
  - 主体: 黄铜镀镍
  - 密封元件: NBR
- 形状: 六角
- 温度范围: -40°C-100°C,短时间可以达到120°C
- 使用场合: 适用于需要将螺纹直径缩小的场合
- 防护等级: IP68 (在使用O型圈的情况下)

Technical specification:

- Material:
  - Body: nickel-plate brass
  - Sealing: NBR
- Shape: hexagonal
- Temperature range: -40°C-100°C, short-term 120°C
- Applications: apply to the situation of the diameter need to be reduced
- Degree of protection: IP68(with O-sealing)

						表面处理 Finish		-		图号 Drawing No.		-	
						材料 Material		-		产品代号 Part Code		WNSC-M40M32	
标记 Mark		处数 Number		变更描述/Description		签名 Signature		日期 Date		产品料号 Part No.		1021040201001	
绘图 Drawn		姓名/Name		日期/Date		姓名/Name		日期/Date		比例 Scale		版本 REV.	
审核 Checked		BQ LUO		18.10.2010		-		-		重量 Weight		53g	
工艺 Process		-		-		批准 Approved		YY LIN		数量 Qty.		-	
										All Dimensions in mm Original Size DIN A 4		厦门唯恩电气有限公司 XIAMEN WAIN ELECTRICAL CO.LTD	