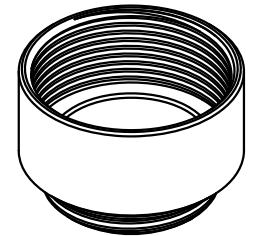
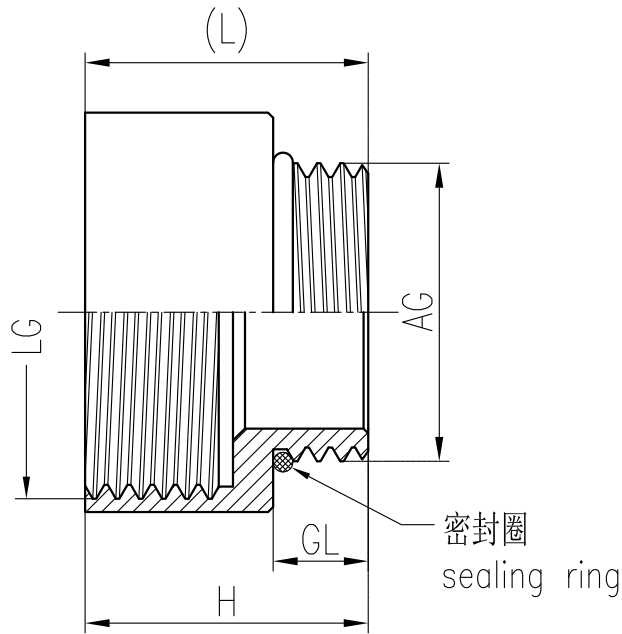


日期/Date	档案员 Filing Clerk	M公制螺纹/Metric Thread					
序号 No.	产品名称 Part code	产品料号 Part No.	外螺纹规格AG Outside Thread	内螺纹规格LG Inside Thread	外螺纹长度H Outside thread length	总长L Total length	重量/Weight g
1	WNSC-M12M16R	1021030111102	M12*1.5	M16*1.5	5	15	8.2
2	WNSC-M16M20R	1021030131102	M16*1.5	M20*1.5	6	17.5	12.8
3	WNSC-M20M25R	1021030151102	M20*1.5	M25*1.5	6.5	19	19.4
4	WNSC-M25M32R	1021030181102	M25*1.5	M32*1.5	7.5	21	26
5	WNSC-M32M40R	1021030191102	M32*1.5	M40*1.5	7	23	67.4
6	WNSC-M40M50R	1021030201102	M40*1.5	M50*1.5	9	31	101.6
7	WNSC-M50M63R	1021030461102	M50*1.5	M63*1.5	9	31	120

日期/Date	档案员 Filing Clerk	PG制螺纹/PG Thread					
序号 No.	产品名称 Part code	产品料号 Part No.	外螺纹规格AG Outside Thread	内螺纹规格LG Inside Thread	外螺纹长度H Outside thread length	总长L Total length	重量/Weight g
1	WNSC-PG7PG9R	1021030011102	PG7	PG9	5	15	10.6
2	WNSC-PG9PG11R	1021030021102	PG9	PG11	6	16.5	12
3	WNSC-PG11PG13.5R	1021030031102	PG11	PG13.5	6	17.5	7
4	WNSC-PG13.5PG16R	1021030041102	PG13.5	PG16	6.5	19	9
5	WNSC-PG16PG21R	1021030051102	PG16	PG21	6.5	21	18.3
6	WNSC-PG21PG29R	1021030061102	PG21	PG29	7	23	34.2
7	WNSC-PG29PG36R	1021030071102	PG29	PG36	8	27.5	77.8
8	WNSC-PG36PG42R	1021030081102	PG36	PG42	9	31	68
9	WNSC-PG42PG48R	1021030091102	PG42	PG48	10	33	188.7



技术参数:

- 材料:
 - 主体: 黄铜镀镍
 - 密封元件: NBR
- 温度范围: -40°C-100°C, 短时间可以达到120°C
- 形状: 圆形
- 使用场合: 适用于需要将螺纹直径扩大的场合
- 防护等级: IP68 (在使用O型圈的情况下)

Technical specification:

- Material:
 - Body: nickel-plated brass
 - Sealing: NBR
- Temperature range: -40°C-100°C, short-term 120°C
- Shape: round
- Applications: apply to the situation of the diameter need to be enlarged
- Degree of protection: IP68(with O-sealing)

						表面处理 Finish		-		图号 Drawing No.		-	
						材料 Material		-		产品代号 Part Code		WNSC-PG21PG29R	
标记 Mark		处数 Number		变更描述/Description		签名 Signature		日期 Date		产品料号 Part No.		1021030061102	
绘图 Drawn		姓名/Name		日期/Date		姓名/Name		日期/Date		比例 Scale		版本 REV.	
审核 Checked		BQ LUO		18.10.2010		标准化 Stand.		-		重量 Weight		34.2g	
工艺 Process		-		-		批准 Approved		YY LIN		18.10.2010		数量 Qty.	
										All Dimensions in mm Original Size DIN A 4		厦门唯恩电气有限公司 XIAMEN WAIN ELECTRICAL CO.LTD	