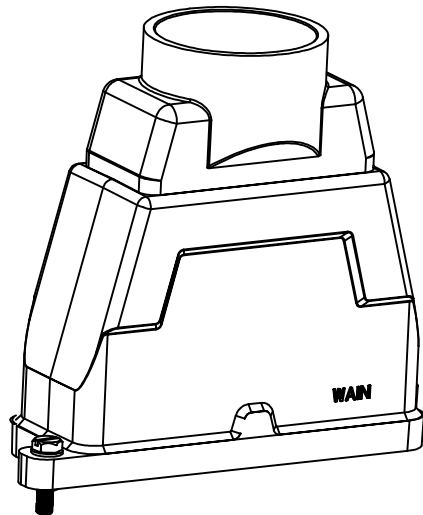


技术参数:

- 材料: 压铸铝
- 表面处理: 粉末喷涂
- 颜色: RAL 9005 (黑色)
- 温度范围:  $-40^{\circ}\text{C} - +125^{\circ}\text{C}$
- 防护等级: IP68/IP69K
- 出线方向: 顶出线
- 出线孔数: 1
- 螺纹规格: M63

Technical specification:

- Material: aluminium die-cast
- Surface: powder-coated
- Colour: RAL 9005(black)
- Temperature range:  $-40^{\circ}\text{C} - +125^{\circ}\text{C}$
- Degree of protection: IP68/IP69K
- Cable entry: top entry
- No. of cable entries: 1
- Thread size: M63



|               |              |                  |                |         |                 |                |            |   |            |                   |   |
|---------------|--------------|------------------|----------------|---------|-----------------|----------------|------------|---|------------|-------------------|---|
|               |              |                  |                |         |                 | 表面处理<br>Finish | -          |   |            | 图号<br>Drawing No. | -   |
|               |              |                  |                |         |                 | 材料<br>Material | -          |   |            | 产品代号<br>Part Code | HP24B/H-TEH-2S-M63                          |
| 标记<br>Mark    | 处数<br>Number | 变更描述/Description |                |         | 姓名<br>Signature |                | 日期<br>Date |   |            |                   | 产品料号<br>Part No.                            |
| 绘图<br>Drawn   | 姓名/Name      | 日期/Date          | 标准化<br>Stand.  | 姓名/Name | 日期/Date         | 比例<br>Scale    | 版本<br>REV. | 重量<br>Weight                                  | 数量<br>Qty. | 产品名称<br>Part Name | -   |
|               | SL CHEN      | 18.10.2010       |                |         | -               | -              | 2:5        | V1.0  | 821g       | -                 |   |
| 审核<br>Checked | P RAO        | 18.10.2010       |                |         |                 |                |            |   |            |                   |   |
| 工艺<br>Process | -            | -                | 批准<br>Approved | YY LIN  | 18.10.2010      |                |            | All Dimensions in mm<br>Original Size DIN A 4 |            |                   | 厦门唯恩电气有限公司<br>XIAMEN WAIN ELECTRICAL CO.LTD |