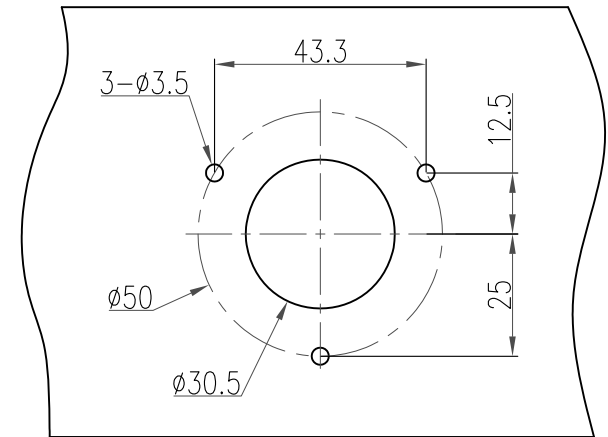
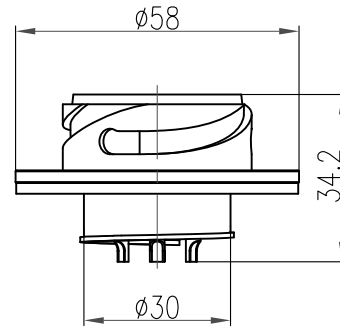


技术参数:

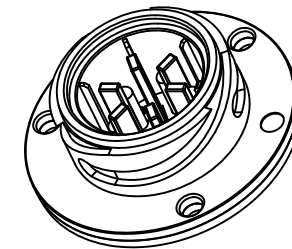
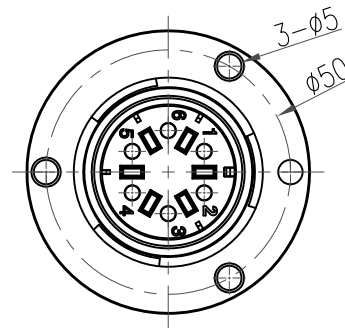
- 插针数: 6(防开路)
- 额定电流: 40A
- 工作电压: 250V (AC)
- 耐电压: 2.0KV
- 绝缘电阻: $\geq 2000M\Omega$ (常态下)
- 接触电阻: $\leq 1m\Omega$
- 外壳材料: 铜合金镀镍
- 插针材料: 铜合金镀金
- 绝缘件: PA
- 密封件: 硅橡胶、氟胶
- 振动: $10-2000Hz, 147m/s^2$, 瞬断 $\leq 1us$
- 冲击: 加速度峰值 $490m/s^2$, 瞬断 $\leq 1us$
- 机械寿命: ≥ 500
- 锁定方式: 卡口锁定
- 相对湿度: 90%-95% ($40^\circ C \pm 2^\circ C$ 时)
- 工作温度: $-40^\circ C \dots +105^\circ C$
- 防护等级: IP65

Technical specification:

- Number of contacts: 6 (The open circuit)
- Rated current: 40A
- Rated voltage: 250V (AC)
- Rated impulse voltage: 2.0KV
- Insulation resistance: $\geq 2000 M\Omega$ (normal temperature)
- Contact resistance: $\leq 1 m\Omega$
- Material of housing: The copper alloy plating nickel
- Material of contact: Gold-plated copper alloy
- Material of insert: PA
- Sealing element: Silicone rubber, FKM
- Vibration: Frequency $10\sim 2000Hz$, accelerated speed $147m/s^2$, instant break $\leq 1us$
- Shock: Accelerated speed $490m/s^2$, instant break $\leq 1us$
- Mating cycles: ≥ 500
- Connector locking system: Bayonet locking
- Relative humidity: 90%~95% ($40^\circ C \pm 2^\circ C$)
- Working temperature: $-40^\circ C - +105^\circ C$
- Pollution degree: IP65



面板安装尺寸
 Panel Cut-out



						表面处理 Finish		-		图号 Drawing No.		-	
						材料 Material		-		产品代号 Part Code		HY-PT3006-S01E0-GM	
标记 Mark		处数 Number		变更描述/Description				签名 Signature		日期 Date		产品料号 Part No.	
				姓名/Name		日期/Date		姓名/Name		日期/Date		1690063131001	
绘图 Drawn		TC CHEN		01.08.2014		标准化 Stand.		-		-		产品名称 Part Name	
审核 Checked		ZM LIN		01.08.2014								-	
工艺 Process		-		-		批准 Approved		YY LUO		01.08.2014		All Dimensions in mm Original Size DIN A 4	
										厦门唯恩电气有限公司 XIAMEN WAIN ELECTRICAL CO.LTD			