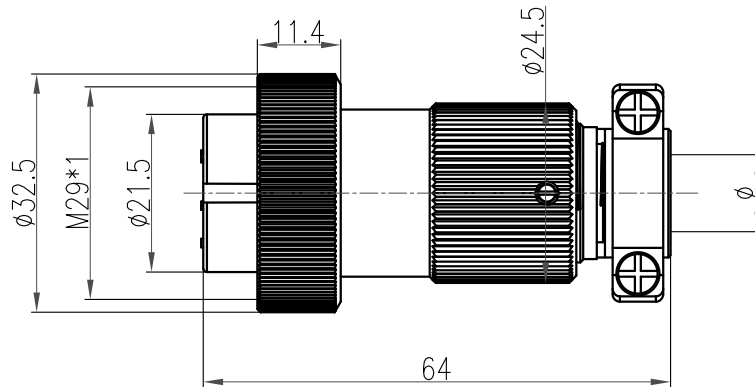


技术参数:

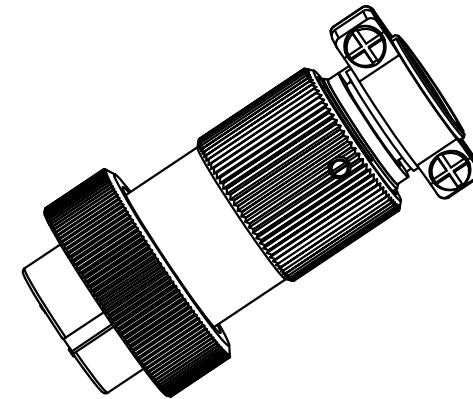
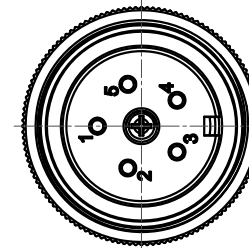
- 插针数: 5
- 额定电流: 20A
- 工作电压: 250V (AC)
- 耐压: 2.0KV (常温状态)
1.0KV (湿热状态)
- 绝缘电阻: $\geq 2000\Omega$ (常温状态)
 $\geq 50\Omega$ (湿热状态)
- 接触电阻: $\leq 2m\Omega$
- 焊线规格: 焊线筒直径 $\phi 1.8mm$
- 外壳材料: 铜合金镀镍
- 插针材料: 铜合金镀金
- 绝缘件: 热固性材料
- 振动: 10-2000Hz, $147m/s^2$, 瞬断 $\leq 1us$
- 冲击: 加速度峰值 $490m/s^2$, 瞬断 $\leq 1us$
- 机械寿命: ≥ 500
- 锁定方式: 螺纹锁定
- 线缆出线口直径: 10.5mm
- 相对湿度: 90%-95% ($40\pm 2^\circ C$ 时)
- 工作温度: $-40^\circ C \dots +105^\circ C$
- 防护等级: IP65

Technical specification:

- Number of contacts: 5
- Rated current: 20A
- Rated voltage: 250V (AC)
- Rated impulse voltage: 2.0KV (normal temperature)
1.0KV (muggy)
- Insulation resistance: $\geq 2000 M\Omega$ (normal temperature)
 $\geq 50 M\Omega$ (muggy)
- Contact resistance: $\leq 2 m\Omega$
- Welding wire: Diameter $\phi 1.8mm$
- Material of housing: The copper alloy plating nickel
- Material of contact: Gold-plated copper alloy
- Material of insert: Thermosets
- Vibration: Frequency 10~2000Hz, accelerated speed $147m/s^2$, instant break $\leq 1us$
- Shock: Accelerated speed $490m/s^2$, instant break $\leq 1us$
- Mating cycles: ≥ 500
- Connector locking system: Thread locking
- Cable and outlet diameter: 10.5mm
- Relative humidity: 90%~95% ($40\pm 2^\circ C$)
- Working temperature: $-40^\circ C \dots +105^\circ C$
- Pollution degree: IP65



电缆出口直径: $\phi 10.5$
Cable outlet: $\phi 10.5$



						表面处理 Finish		-		图号 Drawing No.	-
						材料 Material		-		产品代号 Part Code	HY-T2505-S01E1-GF
标记 Mark	处数 Number	变更描述/Description		签名 Signature	日期 Date	比例 Scale	版本 REV.	重量 Weight	数量 Qty.	产品料号 Part No.	1690054231001
绘图 Drawn	TC CHEN	姓名/Name	日期/Date	姓名/Name	日期/Date	1:1	V1.0	101.6g	-	产品名称 Part Name	-
审核 Checked	ZM LIN		01.08.2012								
工艺 Process	-		-	批准 Approved	YY LUO						
						All Dimensions in mm Original Size DIN A 4		厦门唯恩电气有限公司 XIAMEN WAIN ELECTRICAL CO.LTD			